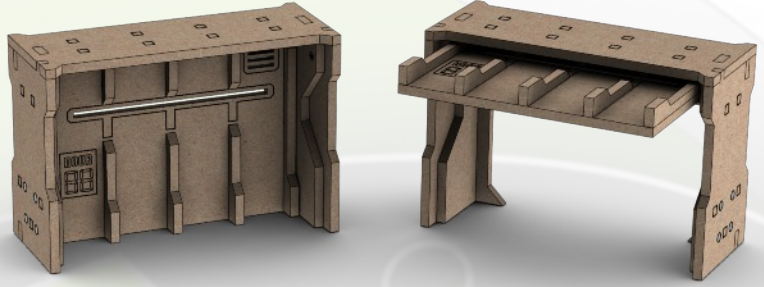


# The Complex Automatic Lift Door

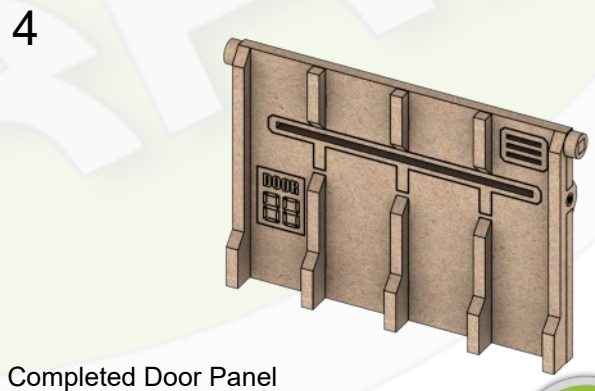
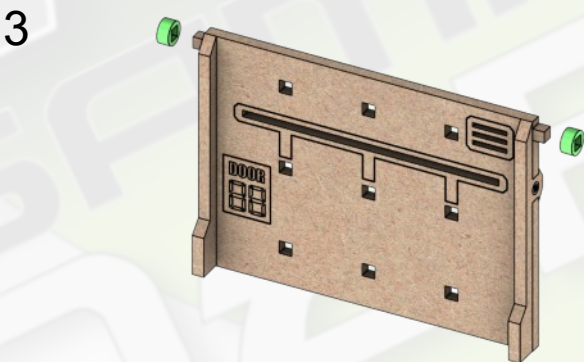
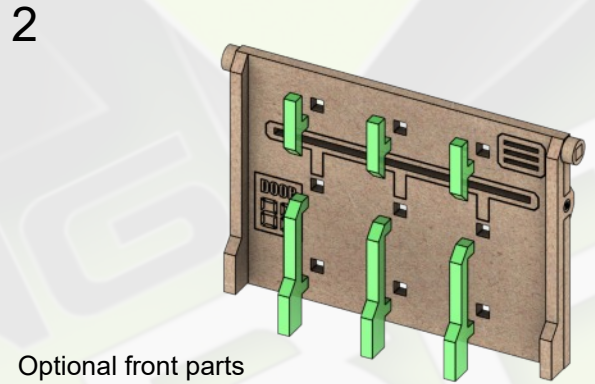
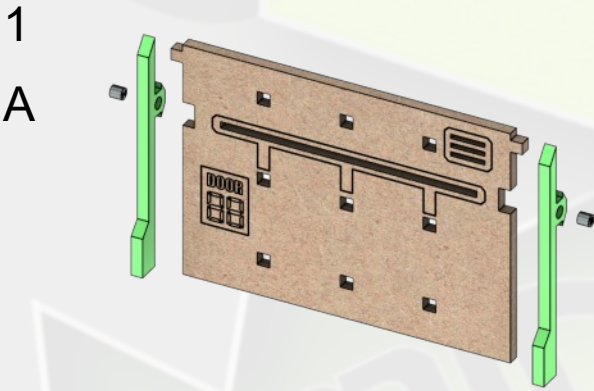
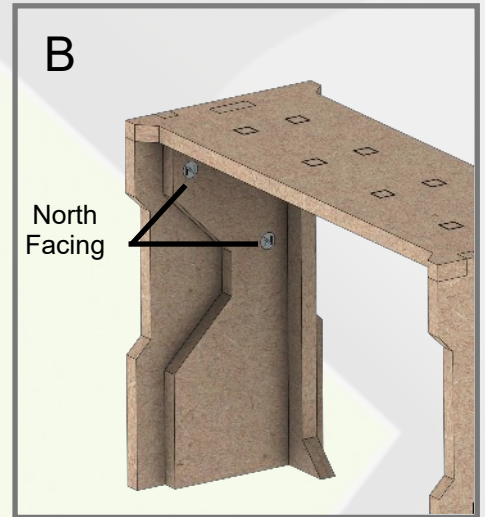
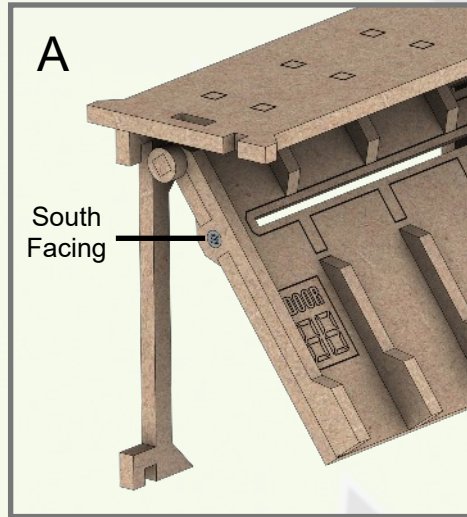
## Assembly Instructions



Magnets can be used on the Automatic lift door to make the door snap into place, open and shut.

These magnets need to be fixed so that the poles are opposing.

It's important to note they can only be fitted at Stages 1 and 5



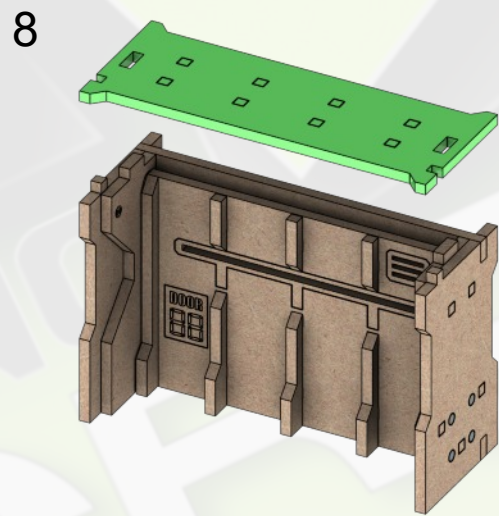
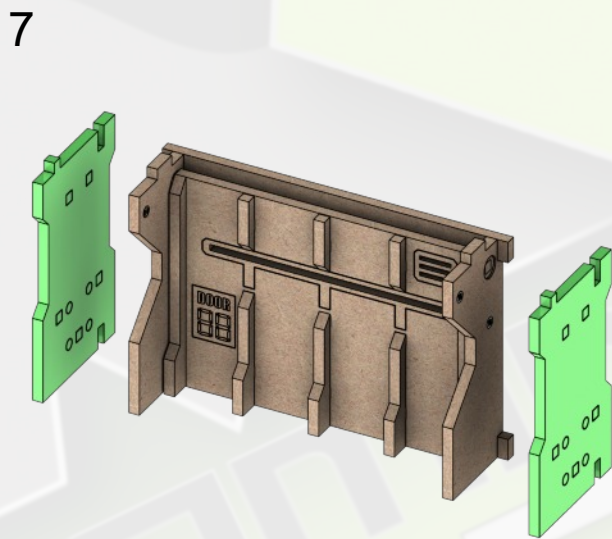
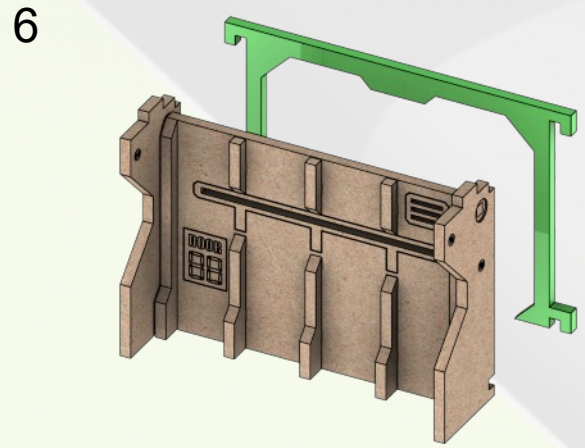
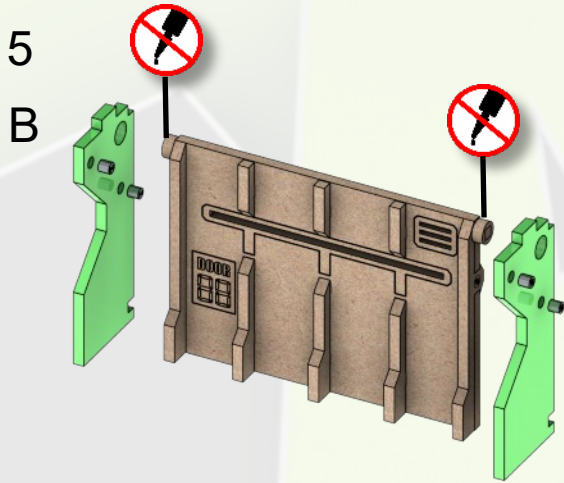
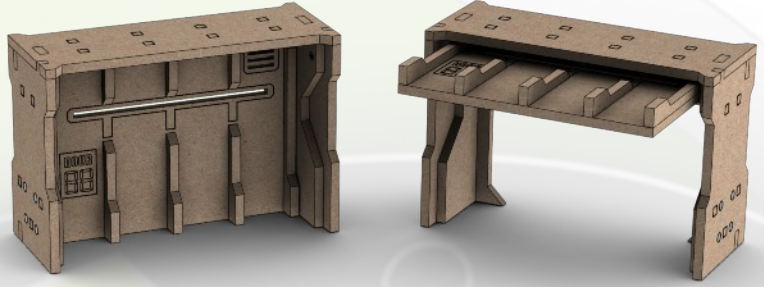
Careful, this pack may contain fragile parts

Designed & produced by



# The Complex Automatic Lift Door

## Assembly Instructions



Careful, this pack may contain fragile parts

Designed &  
produced by

